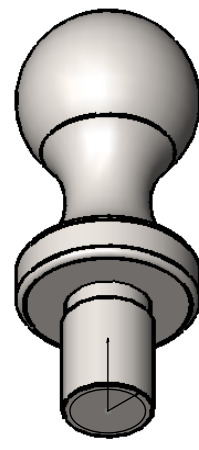
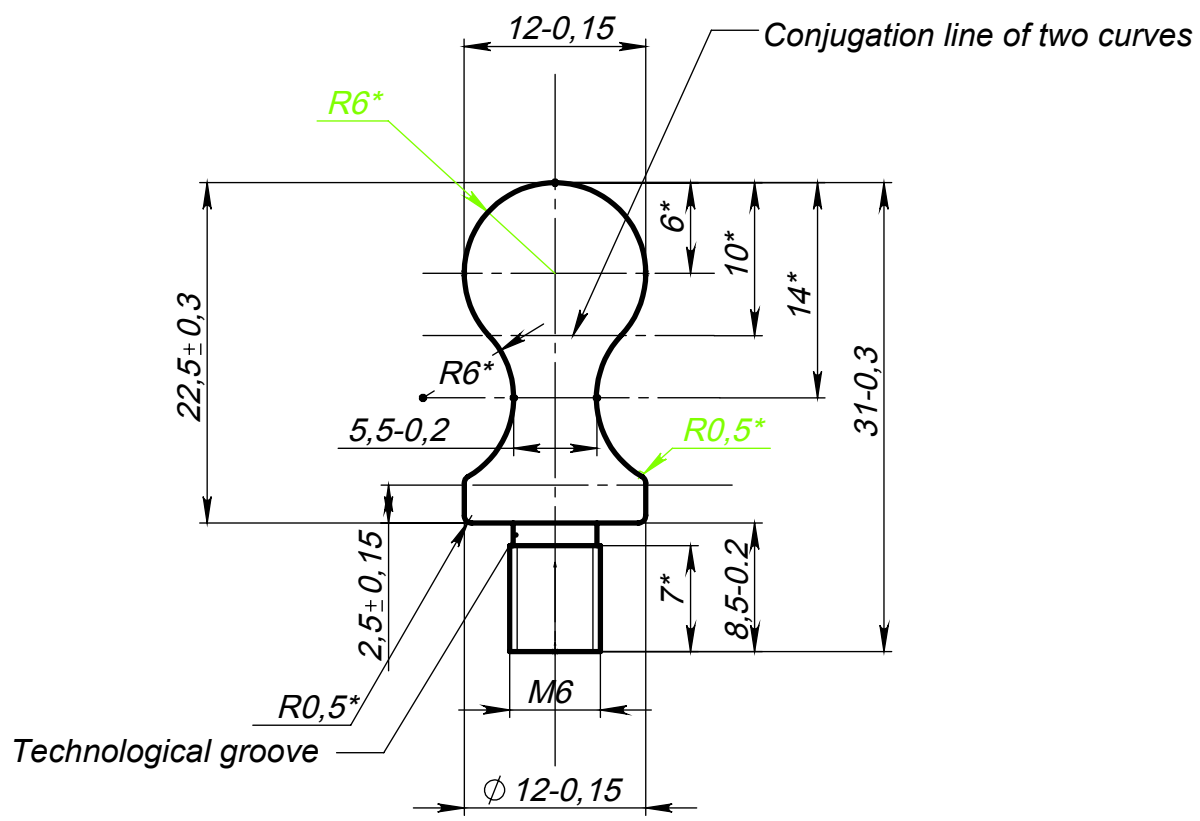


Ref. No. First application

5/



Signature and date
Dupl. Inv. No.
Repl. Inv. No.
Signature and date
Orig. Inv. No.

Rev. Sheet	Doc. No.	Signature	Date
Drawn	Moiseenko		27.07.18
Reviewed			
Tech. insp.			
QC			
Approved			

Spherical borer workpiece 12x31

Steel St.3

Letter	Weight	Scale
		2:1
Sheet 1	Qty of sheets 1	