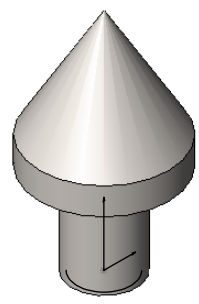
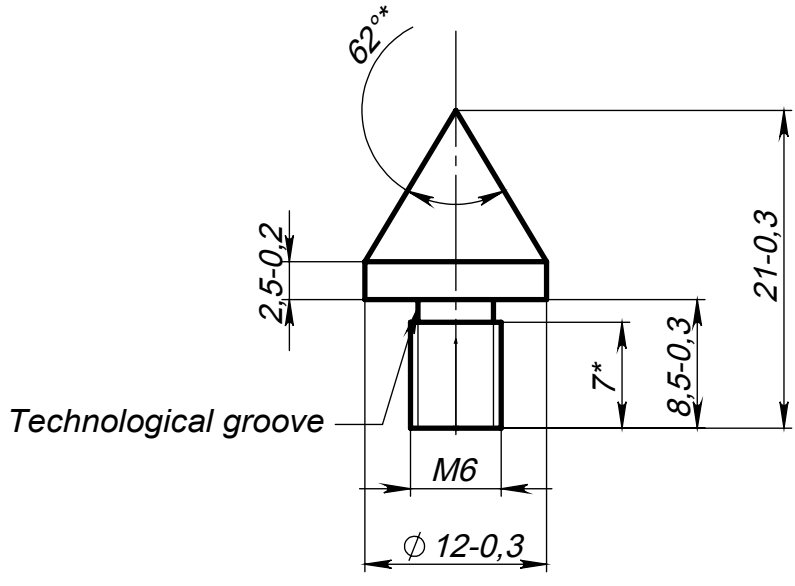


Ref. No. First application



Signature and date Dupl. Inv. No. Repl. Inv. No. Signature and date

Rev.	Sheet	Doc. No.	Signature	Date
Drawn		Moiseenko		27.07.18
Reviewed				
Tech. insp.				
QC				
Approved				

Conical borer workpiece 12x21

Steel St.3

Letter	Weight	Scale
		2:1
Sheet 1	Qty of sheets 1	